

3/4" TO 1/2" IMPACT SOCKET COUPLER | E041502

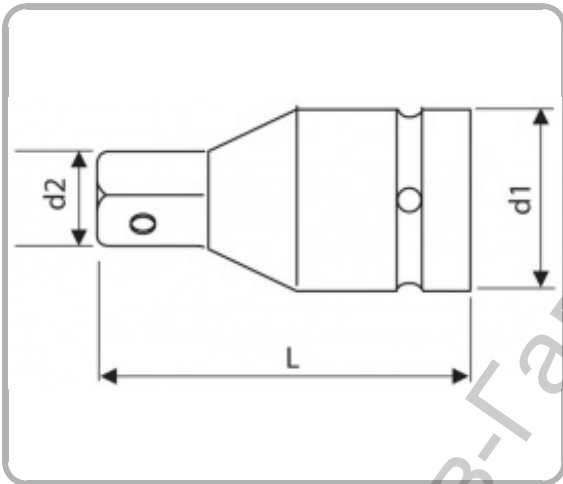


Description

- Designed specifically to withstand demands of impact machinery.
- Chrome-Molybdenum steel.
- For your safety, use Impact couplers with appropriate rings and pins.

Information

EAN	3258950415024
d1 [mm]	44
d2 [mm]	12.58
L [mm]	56
Conditioning	1
[g]	350



Ташев-Галвинг ООД
www.tashev-galving.com